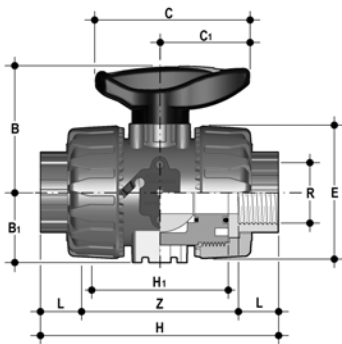


22.447.00
Kugelhahn VK "Dual Block" - radial lösbar


Mit integrierter Halterung. Mit Blockiersystem für Überwurfmutter.

Anschluss: Gewindemuffen

Dichtwerkstoff: PTFE/EPDM

LS 1

VKDFA/EPDM

| DN | R | Art.-Nr. | PN | L | Z | H | H ₁ | E | B | B ₁ | C | C ₁ | kg |
|----|--------|-----------------|----|------|-------|-----|----------------|-----|-------|----------------|-----|----------------|-------|
| 15 | 1/2" | 122.447.010.020 | 16 | 15,0 | 80 | 110 | 65 | 54 | 54,0 | 29,0 | 67 | 40 | 0,210 |
| 20 | 3/4" | 122.447.010.025 | 16 | 16,3 | 83,4 | 116 | 70 | 65 | 65,0 | 34,5 | 85 | 49 | 0,335 |
| 25 | 1" | 122.447.010.032 | 16 | 19,1 | 95,8 | 134 | 78 | 73 | 69,5 | 39,0 | 85 | 49 | 0,448 |
| 32 | 1 1/4" | 122.447.010.040 | 16 | 21,4 | 110,2 | 153 | 88 | 86 | 82,5 | 46,0 | 108 | 64 | 0,678 |
| 40 | 1 1/2" | 122.447.010.050 | 16 | 21,4 | 113,2 | 156 | 93 | 98 | 89,0 | 52,0 | 108 | 64 | 0,955 |
| 50 | 2" | 122.447.010.063 | 16 | 25,7 | 134,6 | 286 | 111 | 122 | 108,0 | 62,0 | 134 | 76 | 1,667 |